



Solis 5G Export Power Manager

Installation and Operation Manual

Ver 1.2

Ginlong Technologies Co., Ltd.

No. 57 Jintong Road, Binhai Industrial Park, Xiangshan, Ningbo,
Zhejiang, 315712, P.R.China.

Tel: +86 (0)574 6578 1806

Fax: +86 (0)574 6578 1606

Email: info@ginlong.com

Web: www.ginlong.com

Please adhere to the actual products in case of any discrepancies in this user manual.

If you encounter any problem on the EPM, please find out the EPM S/N and contact us,
we will try to respond to your question ASAP.

Ginlong Technologies Co., Ltd.

Contents

1. Introduction	2
1.1 Product Description	2
1.2 Packaging	3
2. Safety Instructions	4
2.1 Safety Symbols	4
2.2 General Safety Instructions	4
2.3 Notice For Use	5
3. Overview	6
3.1 Front Panel Display	6
3.2 LED Status Indicator Lights	6
3.3 Keypad	6
3.4 LCD	6
4. Installation	7
4.1 Select Location for the Inverter	7
4.2 Mounting the EPM	7
4.3 Electrical Connections	9
5. Commission and decommission	15
5.1 Commission	15
5.2 Decommission	15
6. Operation	16
6.1 Main Menu	16
6.2 Information	16
6.3 Settings	18
6.4 Advanced Info.	19
6.5 Advanced Settings	21
6.6 Inverter Set	26
7. Troubleshooting	27
8. Specifications	28

1. Introduction

1.1 Product Description

Solis Export Power Manager can monitor and control the backflow power from the inverter to the grid thus providing export power control of inverters. The export power manager is suitable for use with all solar PV grid tie inverters. Model: Solis-EPM1-5G is for single phase systems. Model: Solis-EPM3-5G is for use on three phase systems.

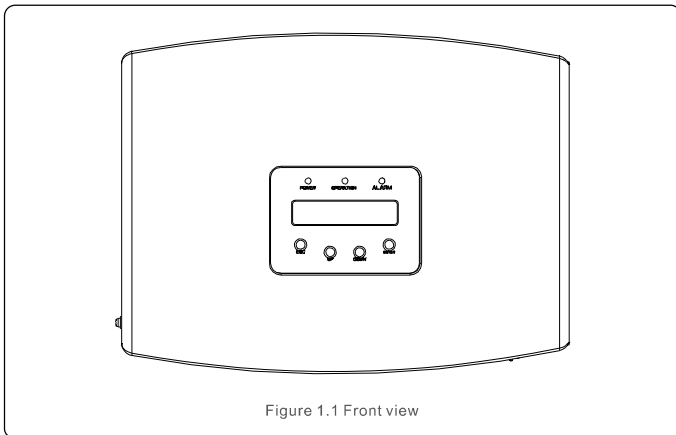


Figure 1.1 Front view

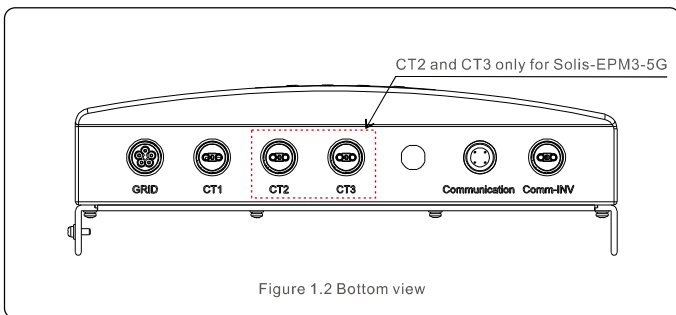


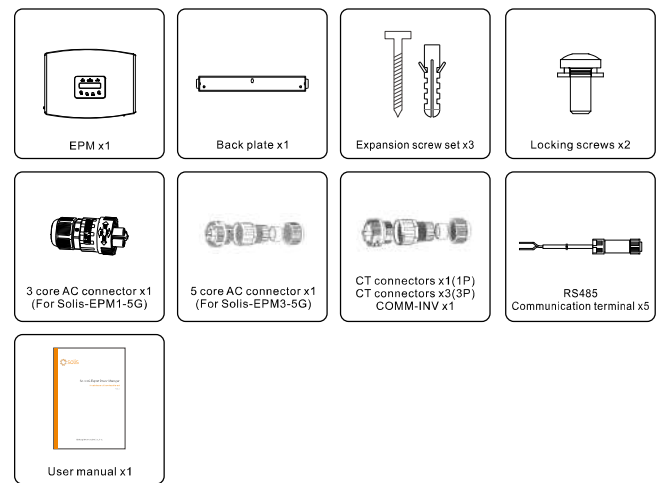
Figure 1.2 Bottom view

.2.

1. Introduction

1.2 Packaging

When you receive the EPM please ensure that all the parts listed below are included:



If anything is missing, please contact your local Solis distributor.

.3.

2. Safety Instructions

2.1 Safety Symbols

Safety symbols used in this manual, which highlight potential safety risks and important safety information, are listed as follows:



WARNING:

WARNING symbol indicates important safety instructions, which if not correctly followed, could result in serious injury or death.



NOTE:

NOTE symbol indicates important safety instructions, which if not correctly followed, could result in some damage or the destruction of the inverter.



CAUTION:

CAUTION, RISK OF ELECTRIC SHOCK symbol indicates important safety instructions, which if not correctly followed, could result in electric shock.



CAUTION:

CAUTION, HOT SURFACE symbol indicates safety instructions, which if not correctly followed, could result in burns.

2.2 General Safety Instructions



WARNING:

Electrical installations must be done in accordance with the local and national electrical safety standards.



WARNING:

It is forbidden to insert or unplug the CT cable with power on. If accidentally disconnected the CT cable, please turn off the main AC switch and wait for 5 mins before reconnect the cable.



CAUTION:

Risk of electric shock. Do not remove cover. There is no user serviceable parts inside. Refer servicing to qualified and accredited service technicians.



CAUTION:

Risk of electric shock from energy stored in capacitors. Do not remove cover until 5 minutes after disconnecting all sources of supply expect service technician. Warranty may be voided if any unauthorized removal of cover.

.4.

2. Safety Instructions

2.3 Notice For Use

The Export Power Manager has been constructed according to the applicable safety and technical guidelines.

Use the Export Device in installations that meet the following specification ONLY:

1. Permanent installation is required
2. The electrical installation must all the applicable regulations and standards.
3. The Export Power Manager must be installed according to the instructions stated in this manual.
4. The Export Power Manager must be installed according to correct technical specification.
5. To install the Export Device you should notice the phase of sampling voltage and the direction of sampling current, then you can connect sampling wires and CT (current transformer).

.5.

3. Overview

3.1 Front Panel Display

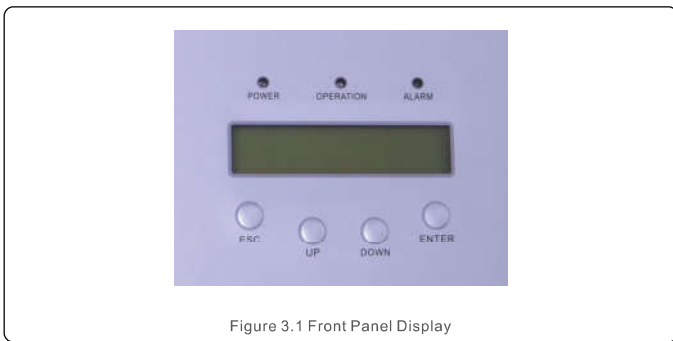


Figure 3.1 Front Panel Display

3.2 LED Status Indicator Lights

	Light	Status	Description
①	● POWER	ON	Export Device power on
		OFF	Export Device power off
②	● OPERATION	ON	Communication with inverter
		OFF	No communication with inverter
③	● ALARM	ON	Alarm
		OFF	No alarm

Table 3.1 Status Indicator Lights

3.3 Keypad

There are four keys in the front panel of the Inverter (from left to right): ESC, UP, DOWN and ENTER keys. The keypad is used for:

- Scrolling through the displayed options (the UP and DOWN keys);
- Access to modify the adjustable settings (the ESC and ENTER keys).

3.4 LCD

The two-line Liquid Crystal Display (LCD) is located on the front panel of the EPM, which shows the following information:

- Export Power Manager operation status and data;
- Service messages for operator;

.6.

4. Installation

4.1 Select a Location for the EPM

To select a location for the EPM, the following criteria should be considered:

- The temperature of the EPM could up to 75°C.
- The EPM is designed to work in extreme temperature range is from -25°C to 60°C.
- The EPM should be kept minimum 300mm clearance from the other device.
- The EPM cannot be placed in direct sunlight.

4.2 Mounting the EPM

Please attach mounting plate on to wall horizontally where to install the product. Then mark A, B and C to fix mounting plate. (see Figure 4.1)

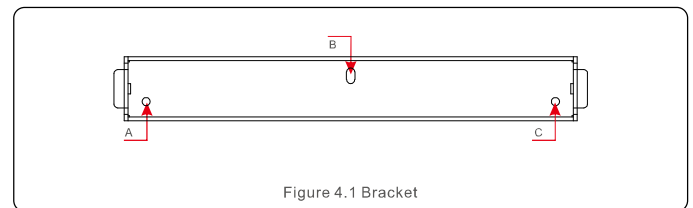


Figure 4.1 Bracket

Drill three $\phi 8$ holes and insert expandable shell into the holes which make the bracket alignment. After that fix the bracket on the wall. (see Figure 4.2)

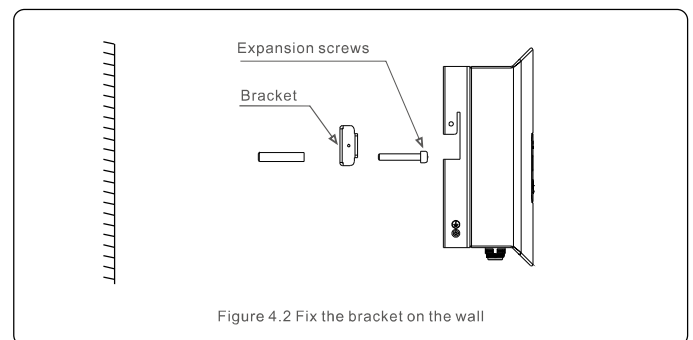
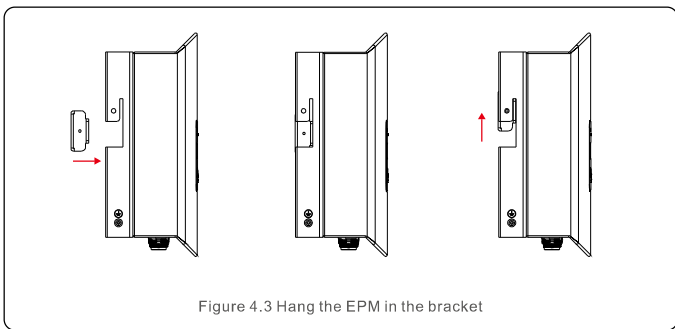


Figure 4.2 Fix the bracket on the wall

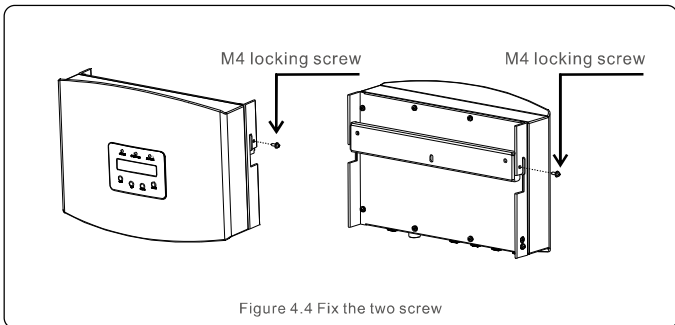
.7.

4. Installation

Hang the EPM in the bracket by the steps below .(see Figure 4.3)



Fix the two screw at the side of bracket.(see Figure 4.4)



.8.

4. Installation

4.3 Electrical Connections

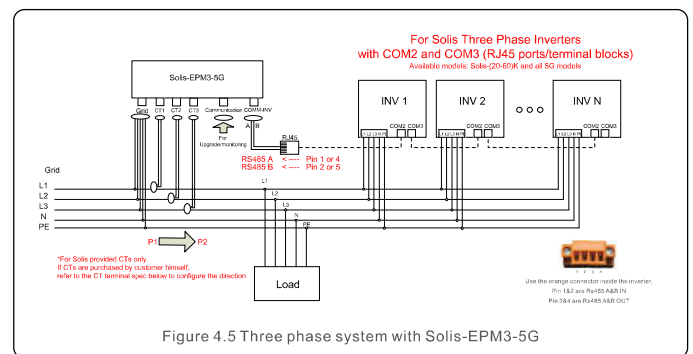
The Export Power Manager is designed for electrical connection without removing the cover.

The meaning of the symbols located at bottom of the EPM is listed in Table 4.1.

Grid	AC voltage sampling terminal
CT1, CT2, CT3	AC current sampling terminals(CT)
Comm_INV	Connect to solis inverters
Communication	Monitoring device or Upgrade Stick

Table 4.1 The meaning of the symbols located at bottom of the EPM

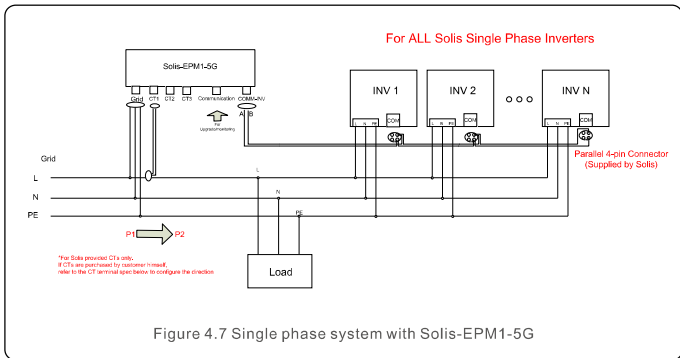
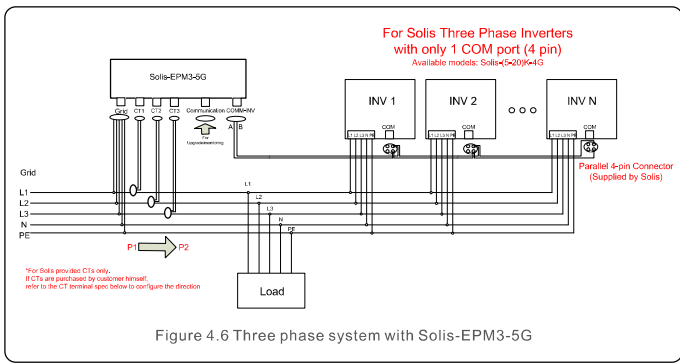
System connection diagram is as follows:



.9.

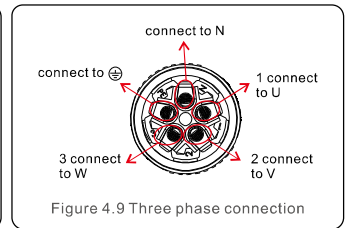
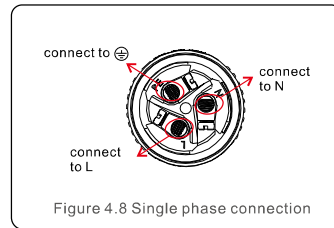
4. Installation

4. Installation

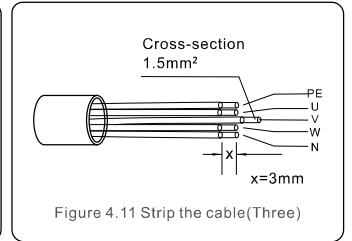
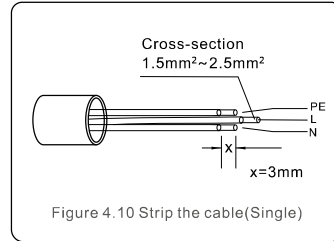


1 Make the Grid input cable

- Measure the distance from EPM to power distribution box. And find proper cable for grid input. 3 core cable for Solis EPM1 5G and 5 core cable for Solis EPM3 5G.
- For single phase inverter installation connect L, N, PE to pin L, N, ⊕ (see figure 4.8).
- For three phase inverter installation connect U, V, W to pin 1, 2, 3 and connect N to pin4, connect PE to ⊕ (see figure 4.9).

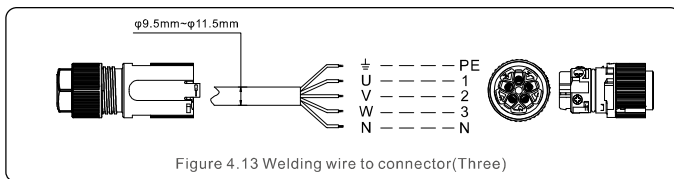
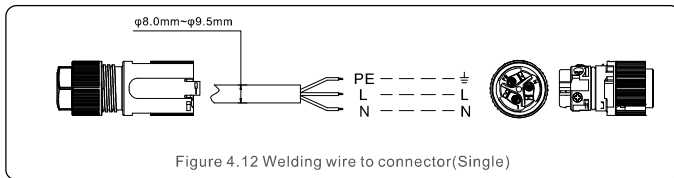


d. Strip the end of cable to 3mm.

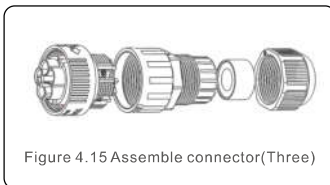
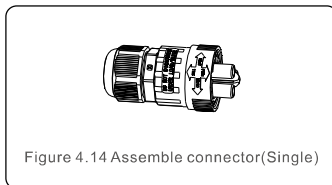


4. Installation

e. Through the cable to the washer and use a suitable screw driver to fix the wire to the connector.



f. Assemble the connector.

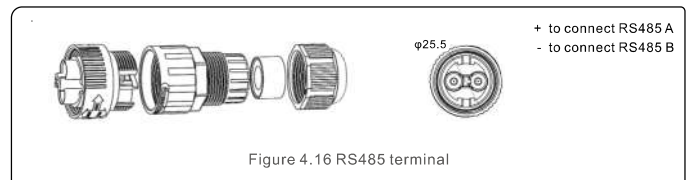


4. Installation

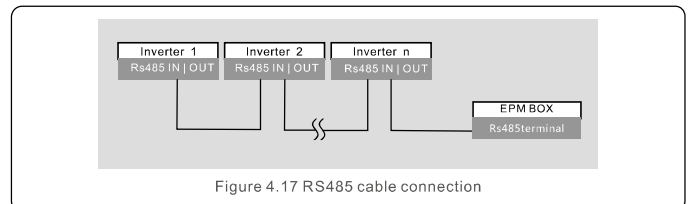
2. Make RS485 cable (COMM-INV port)

a. Refer to figure 4.16, the RS485 terminals for inverter and EPM are already assembled.

Tips:RS485 cable: preferred 0.5mm², max 1.0mm².



b. Refer to figure 4.16, connect communication cable between inverter with EPM, and then measure the distance from EPM to inverter. Use proper cable for RS485 connection. (0.5mm²)




c. Follow step 1 to assemble 2 connectors to each end of cable.

3. Connect and fix the CT

To detect the backflow power, the CTs need to be installed at the PCC (Point of Common Coupling), instead of the load branch circuit.

Note:

 For three phase system, CT1,CT2 and CT3 must be installed on U,V and W with correct sequence, otherwise EPM can not detect the correct data.
"The CT cable outer diameter is 6.5mm-7.5mm, cross-sectional area 1.5mm²".

a. Switch off the main switch, disconnect the line cables.

b. Insert the cables through the CT, make sure the P1 on CT is towards grid and P2 is towards the inverter.

c. Reconnect the line cables.

4. Installation



Note:

If the CT is installed in the wrong direction, the EPM can't work normally.

Specification	Dimensions(mm) W x H x D	Hole size(mm) a x e	CT Ratio	AKH-0.66K
CT-30×20-100A	90 x 114 x 40	22 x 32	100:5A	
CT-60×40-300A	114 x 140 x 36	42 x 62	300:5A	
CT-80×40-600A	122 x 162 x 40	42 x 82	600:5A	
CT-80×40-1000A	122 x 162 x 40	42 x 82	1000:5A	
CT-160×80-2000A	184 x 254 x 52	82 x 162	2000:5A	
CT-160×80-3000A	184 x 254 x 52	82 x 162	3000:5A	

Table 4.2 CT Ratio



Note:

Solis recommends customers to purchase suitable current transformers from local suppliers according to the max possible current in different projects. As long as the secondary current is 5A, no matter what the primary current is, it will not affect the warranty of the EPM devices and inverters. Solis can also provide above current transformers as an optional accessory. Customers can contact Solis sales rep to place the order based on their project requirements.

4. Muti inverter connection

Please follow the previous system diagrams to connect multiple inverters.

EPM can control max 10 inverters (Different models are allowed).

The system can ONLY has one grid connection point.

5. Monitoring

Inverters that connected to EPM can be monitored by Ginlong WiFi/GRRS stick or box.

WiFi/GPRS stick is used for single inverter monitoring.

Multi-inverters must use WiFi/GRRS box to monitor.



Note:

When inverter connected to EPM, no other monitoring device is allowed to be connected to the inverter.

5. Commission and decommission

5.1 Commissioning

1. Connect CT connector, grid input terminal, RS485 terminal(INV) and monitoring device (if needed) to the EPM. Connect the other end or RS485 cable to inverter.
2. Close the breaker of grid input and start up EPM.
3. The power LED(red) light, after the start up interface, press up or down check if the active power is positive or 0. If the active power is negative please check the direction of CT.
4. Please set inverter number for muti-inverters connection.
5. Follow the instruction of inverter to start up inverter. If EPM communicate with inverter successfully, the green LED will light.
6. The default allowed backflow power is 0. Please follow 6.5 to change the allowed backflow power if needed.

5.2 Decommissioning

In order to avoid the backflow power to grid, please stop the inverter before stop the EPM.

1. Turn off the inverter output AC breaker.
2. Turn off inverter input DC breaker or pull out PV cable to stop inverter.
3. Turn off the grid input breaker of EPM.
4. Disconnect all cable of EPM, disassemble EPM after 5mins.

6. Operation

6. Operation

During normal operation, the display alternately shows the power of grid side and the operation Status .Screens can also be scrolled manually by pressing the UP and DOWN keys. Press the ENTER key to access to the Main Menu.

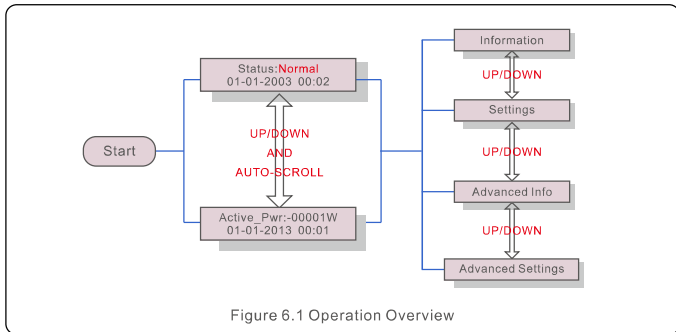


Figure 6.1 Operation Overview

There are 4 status:

- Normal: The system works normally
- RS485 AllFail: EPM has lost communication with ALL inverters
- CT-Failsafe: Current Sensor failed
- RS485 Fail: EPM has lost communication with one or some of the inverters

6.1 Main Menu

There are four submenus in the Main Menu (see Figure 6.1):

1. Information
2. Settings
3. Advanced Info.
4. Advanced Settings

6.2 Information

Solis Export Power Manager main menu provides access to operational data and information. The information is displayed by selecting "Information" from the menu and then by scrolling up or down.

Display	Description
VacA_Grid: 000.0V IacA_Grid: 000.0A	Vac_Grid: Grid voltage and current.
VacB_Grid: 000.0V IacB_Grid: 000.0A	
VacC_Grid: 000.0V IacC_Grid: 000.0A	
Load_Pwr: 0000.0KW Total_PINV: 0000.0KW	Load_Pwr: Load Power. Total_PINV: Total output power of inverters.
Export Limited: 000% Frequency: 00.00Hz	Export Limited: Inverter output power percentage. Frequency: Grid frequency.
Active_APwr: +00000W Active_BPwr: +00000W	Active_Pwr: Power of the power grid.
Active_CPwr: +00000W Active_TPwr: +00000W	Active_Pwr: Power of the power grid. Active_TPwr: :Power flows through CTs.
Inverter SN: XXXXXXXXXXXXXXXXXX	Series number of the inverter.

Table 6.1 Information list

6.2.1 Lock screen

Pressing the ESC key returns to the Main Menu. Pressing the ENTER key locks (Figure 6.2(a)) or unlocks (Figure 6.2 (b)) the screen.

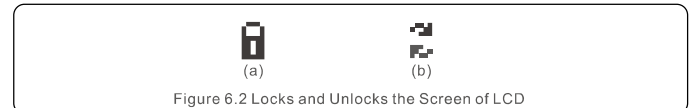


Figure 6.2 Locks and Unlocks the Screen of LCD

6. Operation

6.3 Settings

The following submenus are displayed when the Settings menu is selected:

1. Set Time
2. Set Address

6.3.1 Set Time

This function allows time and date setting. When this function is selected, the LCD will display a screen as shown in Figure 6.3.



```
NEXT=<ENT> OK=<ESC>
01-01-2016 16:37
```

Figure 6.3 Set Time

Press the UP/DOWN keys to set time and data. Press the ENTER key to move from one digit to the next (from left to right). Press the ESC key to save the settings and return to the previous menu.

6.3.2 Set Address

This function is used to set the address when multi inverters are connected to three monitor. The address number can be assigned from "01" to "99"(see Figure 6.4). The default address number is "01".



```
YES=<ENT> NO=<ESC>
Set Address: 01
```

Figure 6.4 Set Address

Press the UP/DOWN keys to set the address. Press the ENTER key to save the settings. Press the ESC key to cancel the change and return to the previous menu.

6. Operation

6.4 Advanced Info - Technicians Only



NOTE:

To access to this area is for fully qualified and accredited technicians only. Enter menu "Advanced Info." and "Advanced settings" (need password).

Select "Advanced Info." from the Main Menu.
The screen will require the password as below:



```
YES=<ENT> NO=<ESC>
Password:0000
```

Figure 6.5 Enter password

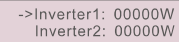
After enter the correct password the Main Menu will display a screen and be able to access to the following information.

1. Inverter Power
2. CT Connect Status
3. Version
4. Model Inverter
5. Communication Data

The screen can be scrolled manually by pressing the UP/DOWN keys.
Pressing the ENTER key gives access to a submenu.
Press the ESC key to return to the Main Menu.

6.4.1 Inverter Power

The screen shows the information of Inverter Power for each inverter which connected to the EPM.



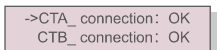
```
->Inverter1: 00000W
Inverter2: 00000W
```

Figure 6.6 Inverter Power

6. Operation

6.4.2 CT Connect Status

The position of three-phase CT installation and direction of current detection refer to 4.3. P1 on CT is towards grid and P2 is towards the inverter, then EPM detection will display OK, as shown in figure 6.7. Otherwise, the status will display "NG" which indicates wrong CT direction.

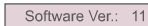


```
->CTA_connection: OK
CTB_connection: OK
```

Figure 6.7 CT Connect Status

6.4.3 Version

The screen shows the model version and the software version of the Inverter.



```
Software Ver.: 11
```

Figure 6.8 Version

6.4.4 Model Inverter

The screen shows the Rated power of inverters that are connected to the EPM.

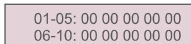


```
Model: 50000
```

Figure 6.9 Model Inverter

6.4.5 Communication Data

The screen shows the internal communication data of the Inverter, for service technicians only.



```
01-05: 00 00 00 00 00
06-10: 00 00 00 00 00
```

Figure 6.10 Communication Data

.20.

6. Operation

6.5 Advanced Settings - Technicians Only



NOTE:

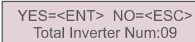
To access this area is for fully qualified and accredited technicians only. Please follow 6.4 to enter password to access this menu.

Select Advanced Settings from the Main Menu to access the following options:

1. Inverter Qty. Set
2. Backflow Power
3. Set CT Parameter
4. FailSafe ON/OFF
5. Backflow Work Mode
6. PELD ON/OFF
7. System Update
8. Reset Password
9. Restore settings
10. Set EPM Regulator

6.5.1 Inverter Qty. Set

This submenu is used for setting inverter number.



```
YES=<ENT> NO=<ESC>
Total Inverter Num:09
```

Figure 6.11 Inverter Qty. Set

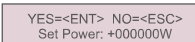
Enter the screen ,it shows all the number of inverters which conected to the EPM.

The number(01~99) can be select by pressing the UP/ DOWN keys.

Press the ENTER key to set the inverter number ESC key to return to the previous menu.

6.5.2 Backflow Power

This submenu is used for setting allowed power that inverter can generate to grid.



```
YES=<ENT> NO=<ESC>
Set Power: +000000W
```

Figure 6.12 Set Backflow Power

Press the UP/DOWN keys to set data.Press the ENTER key to set backflow power

Then press UP/DOWN keys to change the number(the times of 100).

Press the ESC key to save the settings and return to the previous menu.

.21.

6. Operation

6.5.3 Set CT Parameter

This function is used to change CT parameter if customer select different CT.

YES=<ENT> NO=<ESC>
Set CT Para:0030:1

Figure 6.13 Set CT Parameter

Press the UP/DOWN keys to set data. Press the ENTER key to set CT parameter. Press the ESC key to save the settings and return to the previous menu.

6.5.4 FailSafe ON/OFF

The submenu is used for setting fail Safe ON/OFF.

Fail Safe indicates the communication status between EPM and inverters. The default setting is "Run". DON'T change it without technicians.

YES=<ENT> NO=<ESC>
FailSafe: RUN

Figure 6.14 FailSafe ON/OFF

When the Fail Safe is set as "Run". If some of inverters lost communication with EPM, EPM's LCD screen will display "RS485 fail"; if all inverters lost communication with EPM, then the LCD screen of EPM will display "fail safe". And The inverter stops output power.

When the Fail Safe is set as "Stop", communication lost between EPM and inverters will not affect the output of inverters.

6.5.5 Backflow Work Mode

This submenu is used for set backflow work mode: 01, 02. "01" is the default mode.

YES=<ENT> NO=<ESC>
Mode:01

Figure 6.15 Backflow Work Mode

6. Operation

Mode "01", As shown in the figure 6.16, the average limiting mode, the output power of each phase is the average of the three-phase load power, and it is more than the phase of the lowest power in three phases.

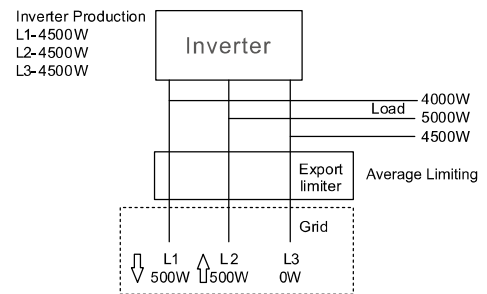


Figure 6.16

Mode "02", As shown in the figure 6.17 the per phase limiting mode, the inverter only generate the power that equals to one of three-phase load power that is the lowest load power of a certain phase.

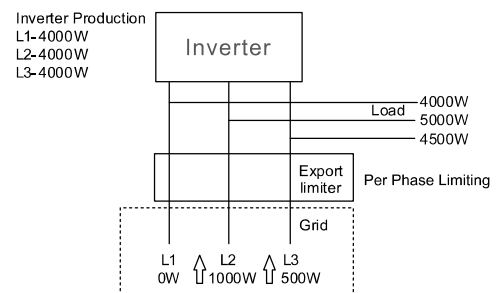


Figure 6.17

6. Operation

6.5.6 PELD ON/OFF

This submenu is used for set PELD on/off. PELD decides EPM works or not.



YES=<ENT> NO=<ESC>
Switch: OFF

Figure 6.18 PELD Switch

Set PELD is on, EPM can monitor and manage the working condition of inverters in real time, and it prevents backflow generated. Set PELD is off, which means EPM shutdowns the function of controlling backflow power.

6.5.7 System Update

The upgrade of EPM's system can realize by external wire.
Please consult our technical engineer for more details.



YES=<ENT> NO=<ESC>
Current Ver.: 11

Figure 6.19 System Update

6.5.8 Reset Password



YES=<ENT> NO=<ESC>
Password: 0000

Figure 6.20 Reset Password

Firstly, input the origin password and press Enter button;
Second, input the new password, press Enter button to save it. UP/DOWN button can be used to move the cursor.
Third, Press ESC button to get to the previous page.

6. Operation

6.5.9 Restore Settings

When Restore Settings is selected, the LCD will display as shown in Figure 6.21.



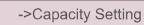
Are you sure?
YES=<ENT> NO=<ESC>

Figure 6.21 Restore Settings

Press the ENTER key to execute the setting.
Press the ESC key to return to the previous menu.

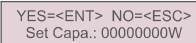
6.5.10 Set EPM Regulator

This item is used to set the sum of the capacities of the connected inverters.



->Capacity Setting

Figure 6.22



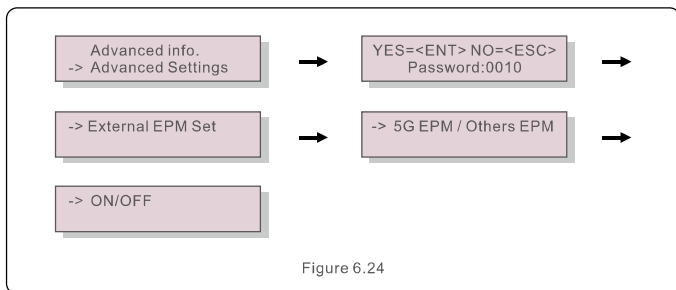
YES=<ENT> NO=<ESC>
Set Capa.: 00000000W

Figure 6.23

6. Operation

6.6 Inverter Set

EPM has two versions: EPM-2G, EPM-5G. While inverter is working with EPM, please be reminded to change the inverters settings as below:



NOTE:



If you are using EPM-5G, please choose "5G EPM", and set it "ON", if you are using EPM-2G. Please choose "Others EPM", and set it "ON", only one setting needs to be set.

NOTE:



If "5G EPM" is chosen, for inverters produced before Nov 30th 219 (SN: XXXXXX19B30XXXX) need to update the firmware, please contact with Solis local service center or service@ginlong.com for instructions on firmware update.

7. Trouble Shooting

The EPM is designed in accordance with the most important international safety and EMC requirements. Before delivering to the customer, the EPM has been subjected to several tests to ensure its optimal operation and reliability.

In case of failure, the LCD screen will display alarm message.

The EPM can show Alarm it self or alarm from inverter. There are 3 alarm can be showed on LCD:

1. Backflow

There are backflow current to grid, customer need to stop inverter. and check the connections for the RS485 cable between EPM and inverter.

2. INV. fault

There are fault alarm in inverter, need to check inverter status.

3. Fail safe

RS485 AllFail: EPM has lost communication with ALL inverters

CT-Failsafe: Current Sensor failed

RS485Fail: EPM has lost communication with one or some of the inverters

8. Specifications

Model	Solis-EPM1-5G
AC Input	
Rated voltage	230V,1/N/PE
Input voltage range	100V~277V (L to N)
Input frequency range	45~65Hz
Input current	5A
Communication	
Inverter communication	Modbus RS485
Maximum communication inverter numbers	10
Maximum communication distance	1000m
Monitoring	Wifi stick or GPRS stick for single inverter connection Wifi box or GPRS box for 2~10 inverters connection
General data	
Ambient temperature	-25°C~+60°C
Relative Humidity	5%~95%
Ingress protection	IP65
Self power consumption	< 5W
Dimensions(W*H*D)	364mm*276mm*114mm
Weight	2.1kg
AC connection	Quick connection terminal
CT connection	Plug terminal
Display	LCD , 2*20Z
Features	
Failsafe function	Yes
Remote upgraded	Yes(When multiple inverters are connected, a dedicated Wifi-box is required to upgrade the EPM firmware remotely)
CT specification	Optional
Control time	5s
Accuracy	3%
Warranty	5 years

8. Specifications

Model	Solis-EPM3-5G
AC Input	
Rated voltage	400V,3/N/PE or 3/PE
Input voltage range	100V~277V (L to N)
Input voltage frequency	50Hz/60Hz
Input current	5A
Communication	
Inverter communication	Modbus RS485
Maximum communication inverter numbers	10
Maximum communication distance	1000m
Monitoring	Wifi stick or GPRS stick for single inverter connection Wifi box or GPRS box for 2~10 inverters connection
General data	
Ambient temperature	-25°C~+60°C
Relative Humidity	5%~95%
Ingress protection	IP65
Self power consumption	< 5W
Dimensions(W*H*D)	364mm*276mm*114mm
Weight	2.1kg
AC connection	Quick connection terminal
CT connection	Plug terminal
Display	LCD , 2*20Z
Features	
Failsafe function	Yes
Remote upgraded	Yes(When multiple inverters are connected, a dedicated Wifi-box is required to upgrade the EPM firmware remotely)
CT specification	Optional
Control time	5s
Accuracy	3%
Warranty	5 years